

Front Panel Printer

System VARIO

**Thermal Printers
with 58, 80, and 112 mm Paper Widths**



Professional Front Panel Printer System
3HU Front Panel Versions for 19" Racks
6HU Printer with Viewing Platform
Switchboard Installation in DIN-Housing

Errors and changes reserved. The technical data given are non-committal, and do not represent any assurance of certain features.
Our terms of payment and delivery apply. All rights reserved.

GeBE Elektronik und Feinwerktechnik GmbH
Beethovenstr 15 • D-82110 Germering near Munich • Germany
Phone ++49 (089) 89 41 41-0 • Fax: ++49 (089) 84 021 68

GeBE Doc.No.: 305-SKI-E-VARIO-V2.1

GeBE

Elektronik und
Feinwerktechnik GmbH
Modules and Devices for Input, Analysis,
Display, and Printing
of Analog and Digital Data.

GeBE Document No.:
SKI-E-305

German: SKI-D-304

Applications:

The printer of the VARIO System are designed for Frontpanel installation. The printer is independent from the Front . This allows to use own Fronts.

Standard Printer fronts for DIN or 19" Rack installation are available.

The low installation depth of the printers qualifies them to be used in compact devices and for desktop installation

Measuring records for ISO-9000 can be continuously printed out with high speed and in small fonts on paper rolls, which saves paper.

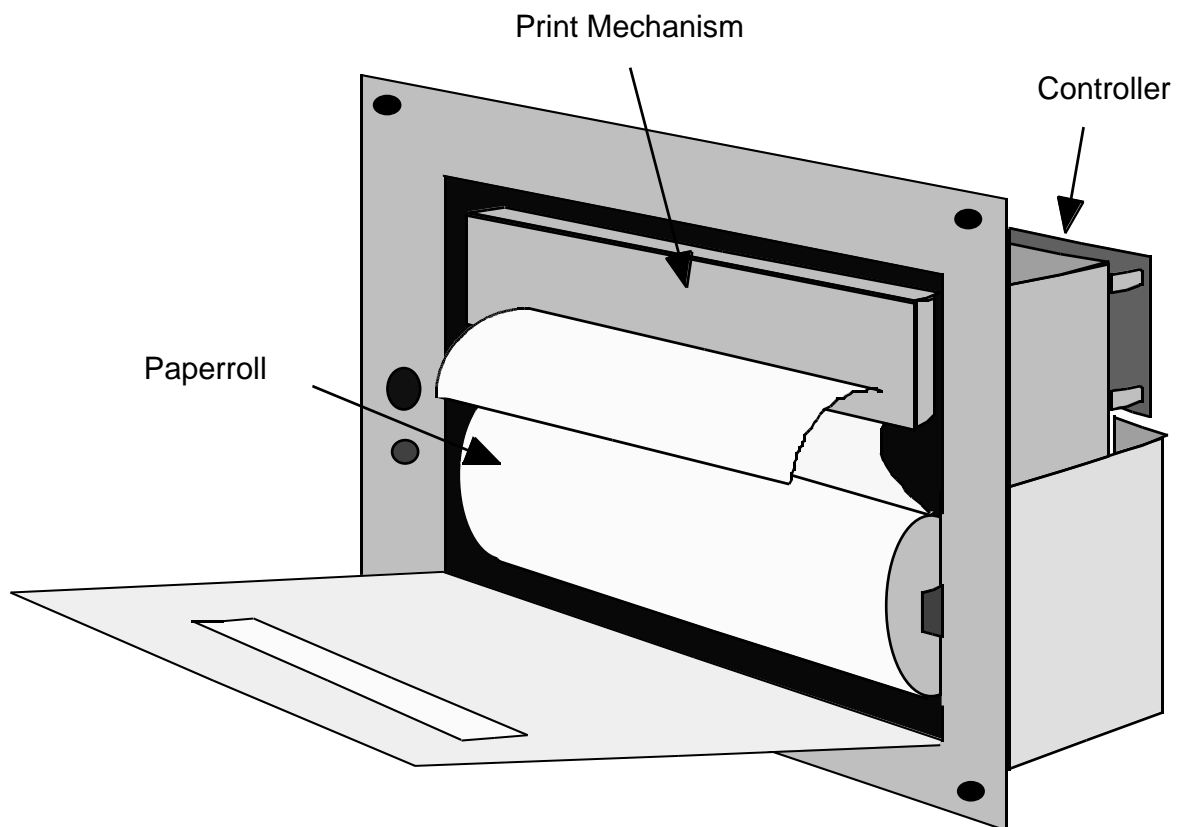
Service friendly:

Service technicians appreciate the easy handling on a hectic day. To conveniently change the paper, you just fold back the front door, put the paper roll into the roll holder, and have the paper fed into the mechanism by the automatic paper transport. The thermal printers with fixed printer head support the feeding of paper with their practical auto-load function.

Paper take up device

Optionally you can get a 5HU or a 6HU version with an integrated paper take up device.

In this version the paper is visible for about 120 mm .



GeBE Elektronik und Feinwerktechnik GmbH

Beethovenstr 15 • D-82110 Germering near Munich • Germany

Phone ++49 (089) 89 41 41-0 • Fax: ++49 (089) 84 021 68

Power supply:

The system offers the right solution for many fields of application. From 5V operation for portable devices, 24 Volt supply in industrial controls, up to the separate 230 V power supply, when very high printing performance is required, and retroactions towards other circuit parts of the control need to be avoided.

Safe operation:

When we designed this printer system, we took special care that it was suitable for EMV and in SMD technique. A constant operating voltage control and the watchdog function, with which all our controller boards are provided, ensure safe operation.

Interfaces:

As a standard, we offer a serial RS232 or a parallel centronics interface. A TTL interface that enables the use of RS422-485 or current loop interface adapters is available as an option. The thermal printers with fixed print line, which are very fast, are additionally equipped with a parallel Centronics interface. Suitable cable connections with the usual PC interfaces are available.

To relieve the host systems, most printer types are equipped with a large data buffer.

Important technical data about the printers

Printer	GPT-4222	GPT-4222-DC/DC	GPT-6223	GPT-6823	GPT-6224	GPT-6824
Controller	GCT-4282	GCT-4282	GCT-6281	GCT-6884	GCT-6281	GCT-6884
Mechanism	MP205	MP205	FTP634	FTP632	FTP644	FTP642
Printing Technique	fixed thermal Head	fixed thermal Head	fixed thermal Head	fixed thermal Head	fixed thermal Head	fixed thermal Head
Fonts: Characters/Line	24,42 and 54	24,42 and 54	36,41,52,64 a. 82	36, 64 a. 82	52,59,75,92 a. 118	52, 92 a. 118
Paper/Printing Width	57.5 / 48 mm	57.5 / 48 mm	79.5 / 72 mm	79.5 / 72 mm	111.5 / 104 mm	111.5 / 104 mm
Resolution : dots/ mm	8	8	8	8	8	8
Resolution : dpi	203	203	203	203	203	203
Dots per Line	384	384	576	576	832	832
Print Speed.: L / Sec	60mm/s	60mm/s	55 mm/s	80 mm/s	55 mm/s	80 mm/s
Operating Voltage	4,5 - 8,5 V	8 - 40 V	4,7 - 8,5 V	16 - 26,5 V	4,7 - 8,5 V	16 - 26,5 V
Max.Power Consump	2.5 - 6 A	2.5 - 6 A	3 - 6 A	3 - 6 A	3 - 6 A	4 - 6 A
MTBF	50 Km	50 Km	50 Km	50 Km	50 Km	50 Km
Centronics	optional	optional	yes	optional	yes	optional
Auto Load	yes	yes	yes	yes	yes	yes
Paper End Sensor	yes	yes	yes	yes	yes	yes
Stored Text Files	user prog.	user prog.	user prog.	user prog.	user prog.	user prog.
Self Test	yes	yes	yes	yes	yes	yes
Watchdog	yes	yes	yes	yes	yes	yes
Synchronous Char.	yes	yes	yes	yes	yes	yes
Bar Code	39 / 2of5 / EAN13, 8	39 / 2of5 / EAN13, 8	39 / 2of5 / EAN13	39 / 2of5 / EAN13, 8	39 / 2of5 / EAN13	39 / 2of5 / EAN13, 8
Text / Data Mode	yes	yes	yes	yes	yes	yes
Adj. of Blackening	yes	yes	yes	yes	yes	yes

GeBE Elektronik und Feinwerktechnik GmbH

Beethovenstr 15 • D-82110 Germering near Munich • Germany

Phone ++49 (089) 89 41 41-0 • Fax: ++49 (089) 84 021 68

Self test and online diagnosis:

After power-on and during operation,extensive self-diagnosis routines are monitoring the printer status continuously, and automatically report occurrences at the printer (e.g. paper end) to the host system.

Convenient Print Attributes:

All printers have convenient print attributes for formatting of text, and they all print pixel graphics.

Simple system inclusion:

As far as the printing technology allows, the devices are equipped with the same GeBE-software platform, so that different types can be operated by the same host software. For the control of the data buffer and the inclusion in the program run of superior devices, synchronous characters can be sent specifically from the printer to the host.

Helpful stored text files:

Advertising text, small logos, initialization, or even macros can be filed in the often used stored text files, and fetched by command.

ESC-Sequences control the Printers (Summary)

CHR	GPT-4272 / 6273 / 6873 / 6274 / 6874
@	• Software RESET
A	• Erase print buffer
D	• Print data mode
E	
F	• Line feed by f lines
G	• Pixel graphics
H	• Print double height
I	• Print white on black
L	• Print underline
M	• Print gray
N	• Absolute TAB on pixel position
P	• Character set no. t
Q	• Print in letter-quality mode
R	• relative TAB on pixel position
S	
T	• Stored text file no. t
U	• Print subscript
V	• Serial feedback
W	• Print double width
Y	• Adjust blackening
Z	
(• Adjust power consumption
\	• Reverse transport by n lines

Fonts and Resolution:

All printers are equipped with an IBM II character set. The print samples below show text and graphic printouts of both printing technologies for comparable font sizes. For plain paper versions, the number of characters per line is determined by the printer mechanism that is used. Types with fixed print line can be used for printing several font sizes and graphics with high resolution.

Bar Code:

A bar code that can be read reliably should be printed with a resolution of at least >150 dpi. Thermal printers with a fixed print line are very good for this application.

Two-ply paper:

All printer types can print on two-ply paper.

Printing official documents:

Nowadays, standard thermal paper can be saved over a long period of time, without the printing suffering considerably. If the printing is required to be light-resistant, you have to use paper that is accepted for use in official documents. The thermal printing technology has developed rapidly within the last years. Today, grease-, water-, alcohol- and light-resistant papers with a 15-year warranty are available.

Tell us about your application. We will be happy to assist you in selecting the right paper.

GPT-6273 / 6873 (203dpi)

GeBE Elektronik und Feinwerktechnik GmbH
 Beethovenstr. 15 Tel. 089-894141-0
 D-82110 Germering Fax 089-8482168

Attribute:
 Fonts: #1 24x16 #2 22x9 #3 18x7 #4 22x11

Doppel t hoch und breit

Invers Inv.Grau Grau Normal

Unterstrichen Kursiv

GEBE Grafik Test
 200dpi - 8dots/mm
 Das gehört verboten! **Groß**

Proportional-Test
 Double-Width-Test
 Fixed-Width
 Bar-Code
 Solid-Black-Test

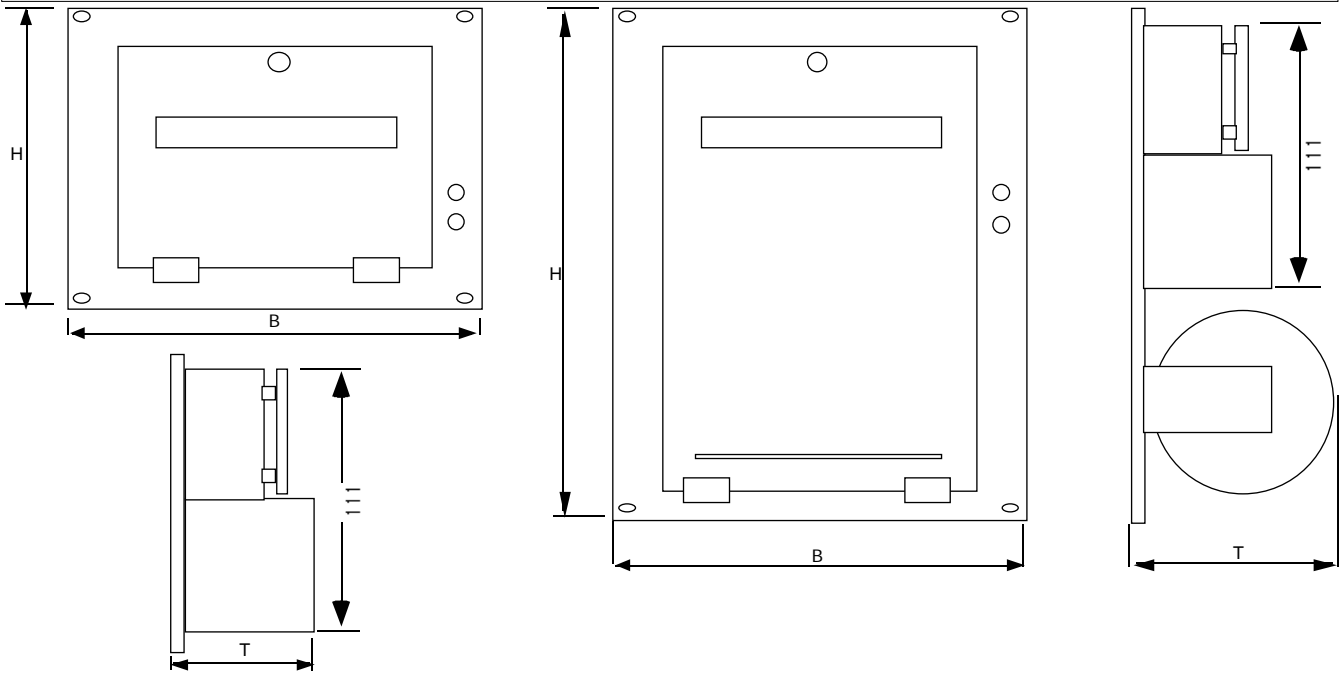
GeBE Elektronik und Feinwerktechnik GmbH

Beethovenstr 15 • D-82110 Germering near Munich • Germany

Phone ++49 (089) 89 41 41-0 • Fax: ++49 (089) 84 021 68

Standardized Dimensions (19"-Technique)

6



Housing	3HU / 21TE	3HU / 26TE	3HU / 34TE	6HU / 21TE	6HU / 26TE	5HU / 35TE
Printer	GPT-4222	GPT-6223/6823	GPT-6224/6824	GPT-4292/4892	GPT-6293/6893	GPT-6294/6894
H in mm	128,4	128,4	128,4	262	262	217,4
B in mm	106,7	132,1	177,8	106,7	132,1	183,05
T in mm	58	58	58	79	79	79
Projection	10 ' 120	10 ' 120	10 ' 120	10 ' 200	10 ' 200	10 ' 200

Custom Versions

Variable front panels

The principle of installation of the 3HU system allows a fast and cost-efficient adaptation of the front panel to your requirements, even for smaller series. We will be glad to assist you to develop the surface.



Terminal combination

Flexibly adaptable I/O controller boards put GeBE in the position to expand the front panel with a keyboard, a display, or even a card reader, and to integrate other I/O-elements, just as you wish.

GeBE Elektronik und Feinwerktechnik GmbH

Beethovenstr 15 • D-82110 Germering near Munich • Germany

Phone ++49 (089) 89 41 41-0 • Fax: ++49 (089) 84 021 68

"3HU" printer in DIN housing:

When a 3HU printer is installed into a 144x144 mm or a 192x144 mm DIN switchboard housing, not only do all advantages of the 3HU system remain, but the housing adds an additional protection for the extended system.

Suitable interfaces:

The power supply, the serial RS232 and on EVAL Types also the parallel Centronics interface are carried out on the back through standard connectors. As an option, the printers can be equipped with a Centronics, current loop, or RS422/485 interface.

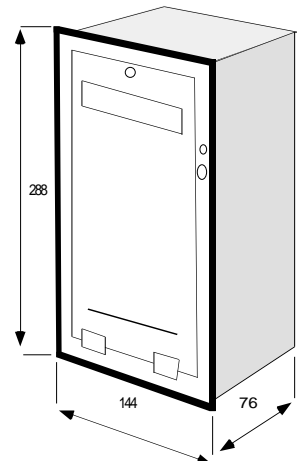
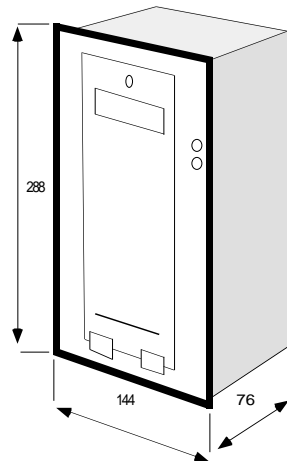
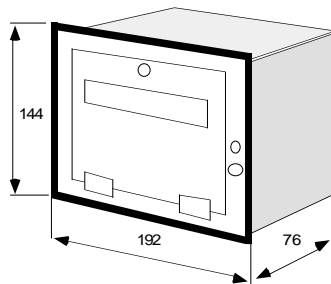
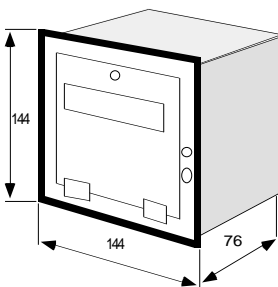
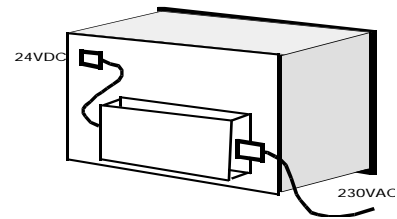
Protective front door IP42:

The front can be covered with a perspex door to protect against dust and spraying water.

The right power supply:

Two different power supplies that are tuned to the printer (85-265 VAC or 16 - 26 VDC) are available. For the 230 VAC version a Power supply is mounted on the backside of the printer.

The GPT-4222-DC/DC can also be used for 12VDC Systems.



Printer Type	GPT-4275	GPT-4295	GPT-6876	GPT-6876	GPT-6877	GPT-6877
Base	GPT-4222		GPT-6823		GPT-6824	
Operation Voltage	8 - 40 VDC		16-26 VDC		16-26 VDC	
Max. Power Consump.	2,5 ADC		3 ADC		4 ADC	
Cutting out in mm	137 x 137	137 x 274	137 x 137	137 x 274	185 x 137	185 x 274
Depth in mm	76		76		76	
width x height in mm	144x144	144x288	144x144	144x288	144x144	144x288

GeBE Elektronik und Feinwerktechnik GmbH

Beethovenstr 15 • D-82110 Germering near Munich • Germany

Phone ++49 (089) 89 41 41-0 • Fax: ++49 (089) 84 021 68

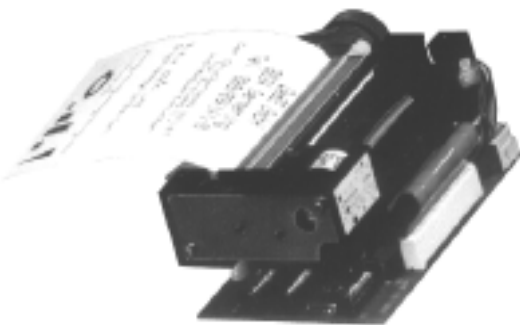


**Front Panel Printers
System Z1**

**Different Printing Technologies
Practical Cassette Construction
Several Installation Variants**

Printers in Plastic Housing

**Needle- or Thermal Printers
with 58 and 80 mm Paper Width
Elegant Installation Aids, Easy to Operate**



**OEM Mechanisms + Controller
Boards**

**Needle-, Thermal- or Ink Jet
with Paper Width of 45 mm up to US-Letter**

**Special Printers
Keyboards and Terminals
Special Developments
Production of Electronic Devices**