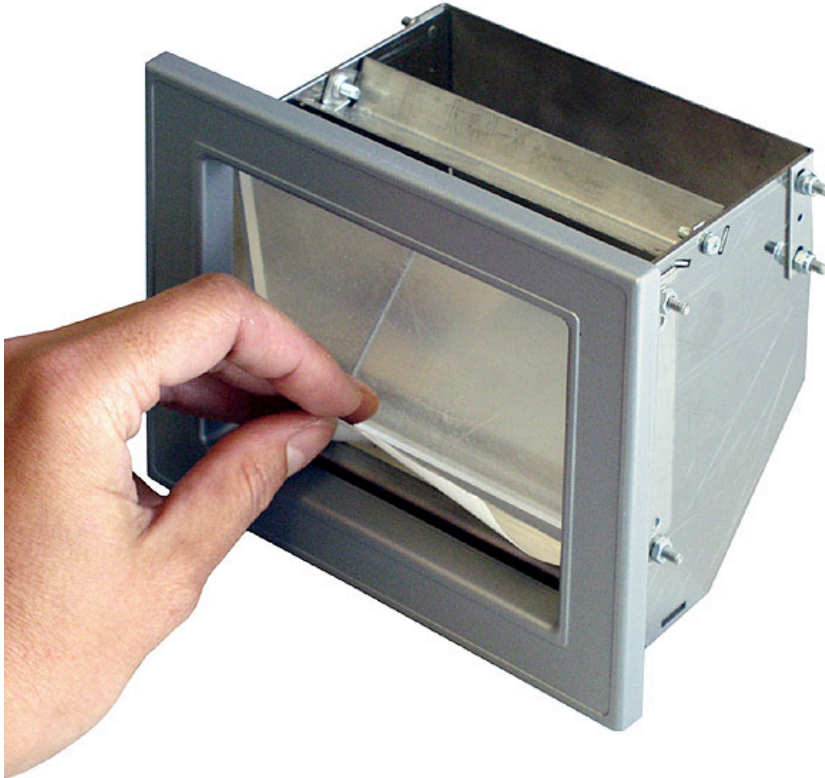


Papercatch

GPS-xxx

Paper Catch for secure Ticket Issuing for the
Info-Printer Series GPT-686x



GeBE

Elektronik und
Feinwerktechnik GmbH

Modules and devices for input,
analysis, display and printing of
analog and digital data.

GeBE Document-No.
KI-E-393-V1.3

Status: 13.01.2010
Printed: 13.01.2010
German: KI-D-392

Short Information

- **Housing made of high-quality steel**
- **ideal for Outdoor-Applications**

The GeBE logo is a registered trademark of GeBE Elektronik und Feinwerktechnik GmbH. All other brands named in this brochure are properties of the respective companies. Errors and changes reserved. The technical data given are non-committal information and do not represent any assurance of certain features. Our terms of payment and delivery apply. Copyright © 2010 GeBE Elektronik und Feinwerktechnik GmbH. All rights reserved.

GeBE Elektronik und Feinwerktechnik GmbH
Beethovenstr.15 • 82110 Germering • Germany • www.oem-printer.com
Phone ++49 (0) 89 / 89 41 41-0 • Fax ++49 (0) 89 / 8 40 21 68 • email: sales.ef@gebe.net

Papercatch GPS-xxx

Short description:

The Paper Catch for the Info printers GPT-6862 and GPT-6863 ist made of 1,5 mm thick high-quality steel.

The front frame is out of plastics.

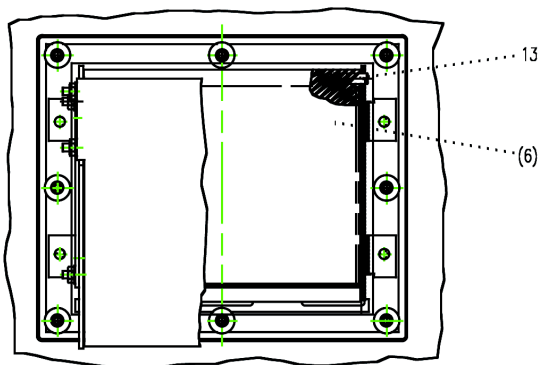
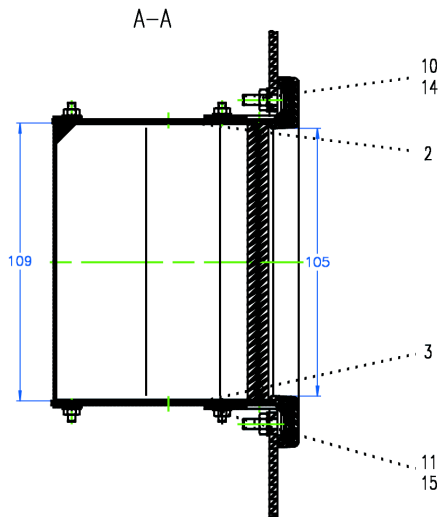
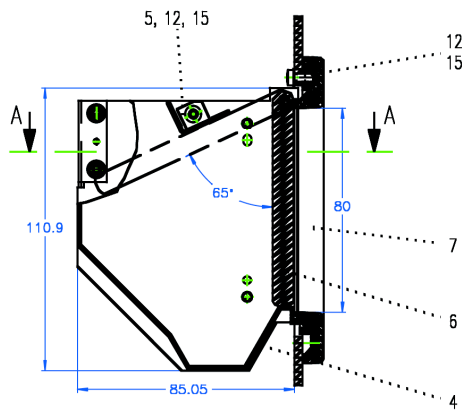
Inside this plastic frame there is a 7.5 mm acrylic glass door that can only be pushed open towards the inside. So the access to the printer above is blocked.

So it is ideal for outdoor applications.

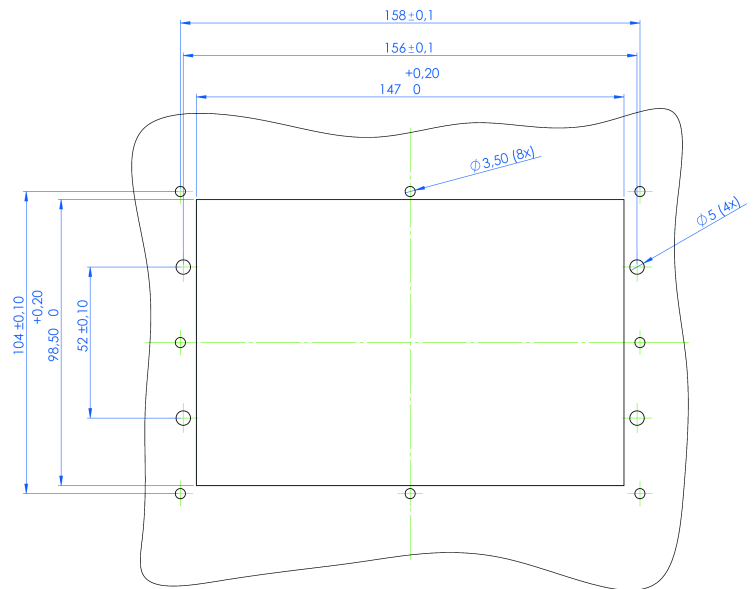
This Paper Catch is made for a paperwidth up to 85 mm and a maximum Bon length of 70 mm.

The Installation is very easy: only a rectangle cut-out in a front panel of 2.5 mm to 6 mm thickness is required.

Mechanical Dimensions:



Front cut out for 4" printers



Front cut out for 2" and 3" printers

