

# INFO Thermal Printer

for 60, 85, and 114 mm Paper Width  
203 dpi Resolution, 24V Operating Voltage

## GPT-686x



- High print quality, 203 dpi (8 dots/mm), Virtually maintenance-free thermal printing without ink ribbon
- Service-friendly construction with auto paper load and remaining paper sensor
- High reliability through PC compatible, sophisticated software
- Reliable system control: self-diagnostic routines and load report

- ① »INFO« receipt printer for stationary operation with integrated cutter
- ② »INFO-Mobile« printer for secure ticket output for mobile operations
- ③ »INFO-Label« printer with integrated label issuing mechanism
- ④ »INFO-Journal« protocol printer with integrated rewriter

## »INFO-Mobile« Ticket Printer



[www.oem-printer.com/mobile](http://www.oem-printer.com/mobile)

### Security for Mobile Applications

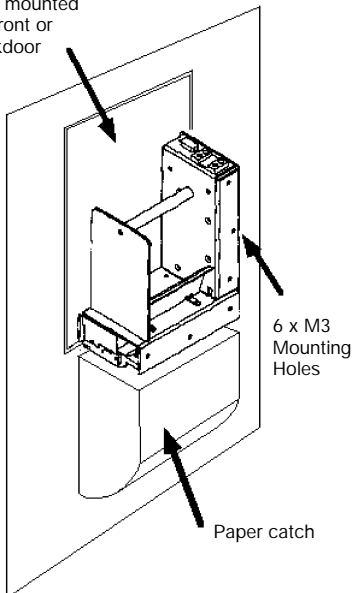
**Mobile INFO** printers have a guide on one side to prevent the paper roll from falling out from heavy vehicle vibrations. An active paper roll brake prevents the paper roll from unwinding. It keeps the paper taut, avoiding paper jams caused by heavy vibrations. For wide paper, an alternative paper path is provided. An additional locking device is provided to prevent the paper cutter from opening during mobile applications.

### Receipt Issuing Through Paper Catch

**INFO** printers issue receipts through a paper catch, offering high operating comfort and protection against vandalism at the same time. The transparent lid folds back easily towards the inside for the removal of receipts, while barring access to the cutter. It also protects against contaminations - a big advantage especially for outdoor applications.

## Receipt issuing through paper catch

Printer mounted  
on a Front or  
a Backdoor



### Customization

GeBE, the developer and manufacturer of the **INFO** thermal printer series, has been specializing in the manufacturing of custom printers - even smaller numbers - for years. We therefore welcome inquiries about custom applications like changes of the character set, command adaptations, or mechanical variants. All components of the **INFO** printers, but mainly the mechanisms and controllers, are also available separately for OEM customers.

### Detailed Messaging Regarding Operating Status

Operating data stored in the serial EEPROM and errors are sent to the host on command. The total operating performance, the operating time, the last ten error messages, the total amount of printed paper, and the total amount of cuts performed by the cutter represent important indicators for the service.

## Basic mod



for stationary  
Paper widths 60

[www.oem-printer.com](http://www.oem-printer.com)

## Paper catch with front lid



[www.oem-printer.com/catch](http://www.oem-printer.com/catch)

### Sophisticated Electronic Monitoring

Operating voltages, ambient temperature, impulse times of the heating elements, and program flow are independently monitored at all times by timers, a watchdog, hardware related self diagnostic routines, and sensors.

Status messages to the host are sent automatically or on request.

This allows the printer to determine the amount of paper left on the paper roll by subtracting the amount of paper that has been fed through the mechanism from the total amount of paper on the roll.

### Higher Print Comfort

Logos, promotional texts, initializations, or program macros can be stored in an 8 KB (option: up to 64 KB) EEPROM memory, and called by command. The printer starts off with preset parameters. The print layout can be individually designed.

**Robust Steel Housing**

The robust and compact housings of the **INFO** series are made of 2 mm coated steel. For larger series, the info printer housings can also be manufactured from V2A super refined steel. The mounting surfaces of its user-friendly design allow easy integration of the printer in mechanical housing constructions. The integrated, closed housing space offers optimal protection for the electronics.

**Power and Data Connection**

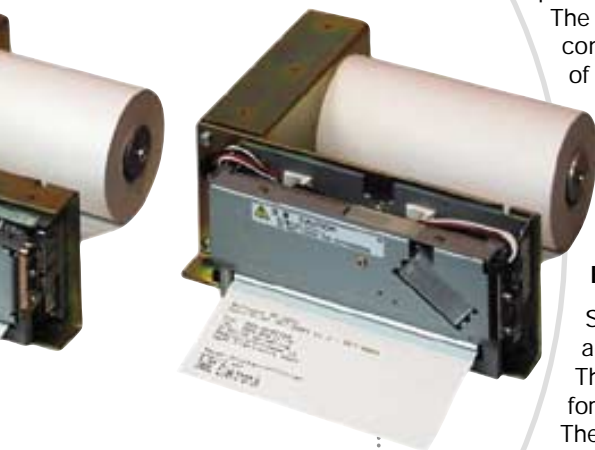
The printers are supplied with 24V through removable screw clamps. Power supplies are available from GeBE. The serial interface RS232 runs through a 9pin SUB-D connector, directly connecting to a serial port of the PC with a 1:1 cable connection. Software drivers for the PC are available.

**»INFO-Label«  
Label printer for integration**



www.oem-printer.com/label

**els »INFO«**



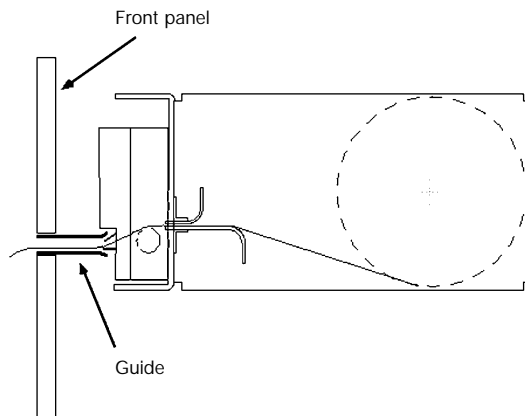
**Reliable Printer Mechanisms**

The printer mechanisms used in the **INFO** series offer the reliable technology of a manufacturer with years of printer production experience. The best print quality is achieved in combination with high print speed of up to 80 mm/sec. The print heads have a life span of up to 50 km of printed paper.

**Easily Accessible Paper Guide**

System **INFO** allows fast and easy access to the complete paper path. This represents a significant advantage for service and error recovery. The paper guide and the auto load function make it easier to insert paper.

**Receipt issuing through front slot**



Applications  
85, or 114 mm

www.oem-printer.com/info

**Paper Control from A to Z**

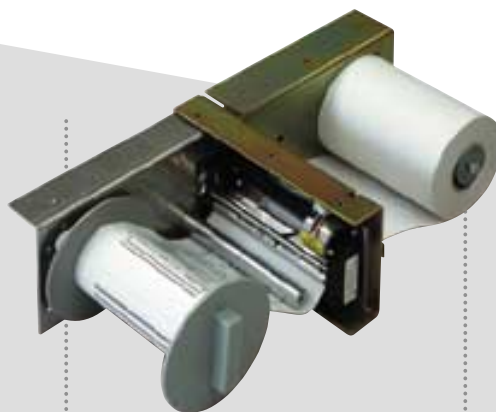
When the paper is inserted, a paper guide leads the paper directly into the printer mechanism, where a paper sensor automatically starts the auto load.

A remaining paper sensor will report the paper roll being close to the end. Three different predefined mounting positions for the paper roll axle allow for a paper roll diameter of up to 150 mm. The positioning is done at the factory and depends on the requested mounting base. The optional paper removal sensor signalizes, whether the paper has been removed from the outlet after cutting. It is very reliable due to secondary light compensation.

**Service-Friendly Thermal Mechanisms**

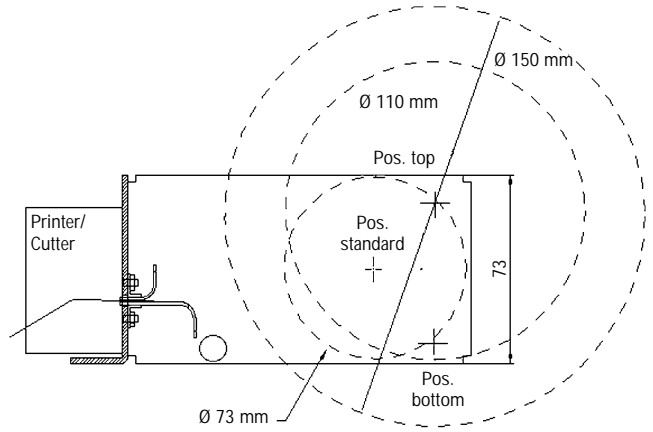
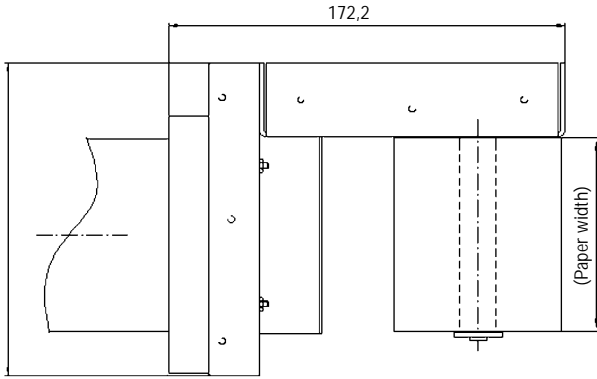
Thermal printing does not require an ink ribbon. Therefore, the printer mechanisms are virtually maintenance-free throughout their life span, as long as the right quality of paper is used. The thermal print head can be removed and exchanged easily without the use of tools. The design of the paper cutter also focuses on service-friendly handling. It can be folded back to resolve paper jams, and can be exchanged fast and easily.

**»INFO-Journal«  
Protocol printer**



www.oem-printer.com/journal

# Technical Data:



Paper/print width:	60 / 56 mm	85 / 72 mm	114 / 104 mm
Roll diameter:	max. 150 mm; paper axle (25 mm diameter) factory mounted in three positions		
Print speed:	up to 80 mm/s		
Character sets, cpl:	28, 49 or 64	36, 64 or 82	52, 92 or 118
Bar Code:	Code 39, 2 out of 5 int, EAN 13, EAN 8, others on request		
Interfaces:	serial, RS232, or TTL up to 115kbps, optional Centronics		
Data compression:	up to app. 4 : 1 with PCL compatible graphics commands		
Operating voltage:	24V rated voltage, function: 16 - 26.5V		
Max. standby current:	40 mA		
Max. print current app.:	3A, short impulse peaks up to 6A possible, maximum power consumption limited by command		
Dimensions in mm:	172,2 x 73 x 109,7	172,2 x 73 x 135,6	172,2 x 73 x 162,7
Weight:	995 g	1100 g	1350 g
Environment:	0°C to 50°C (-10°C to + 60°C with GeBE paper), other temperature ranges on request		
Head quality:	50 km printed paper		
Life span (60g/m <sup>2</sup> )	500.000 cuts	500.000 cuts	300.000 cuts

## GeBE Elektronik und Feinwerktechnik GmbH

- Industrial OEM printers
- printer mechanisms
- keyboards
- terminals
- product development
- manufacturing

Beethovenstr. 15  
82110 Germering  
Germany

Phone:  
++49 (0) 89/89 41 41-0  
Fax:  
++49 (0) 89/840 21 68

sales.ef@gebe.net  
www.oem-printer.com

The GeBE logo is a registered trademark of the GeBE Elektronik und Feinwerktechnik GmbH. All other brands named in this catalogue are properties of the respective companies. Errors and changes reserved. The technical data given are non-committal information and do not represent any assurance of certain features. Our terms of payment and delivery apply. Copyright 2002 GeBE Elektronik und Feinwerktechnik GmbH. All rights reserved.

### Standard Product List:

Art.No.	Nomenclature	Interface			Memory	Features				
		RS232	Centronics	TTL		8 KB	Print Width Eff./mm	Character sets (cpl)	Axle Position Adjustable (by)	
								User	Factory	
10741	GPT-6862-83-28-V.24-AS	X	(o)	(o)	X	56	28, 49, 64	X		X
10733	GPT-6863-83-36-V.24-AS	X	(o)	(o)	X	72	36, 64, 82		X	X
10789	GPT-6864-83-52-V.24-AS	X	(o)	(o)	X	114	52, 92, 118		X	X
11185	GPT-6862-83-28-V.24-Mobile	X	(o)	(o)	X	56	28, 49, 64	X		X
11186	GPT-6863-83-36-V.24-Mobile	X	(o)	(o)	X	72	36, 64, 82		X	X
11026	GPT-6862-83-28-V.24-Label	X	(o)	(o)	X	56	28, 49, 64		X	
11197	GPT-6862-83-28-V.24-Journal	X	(o)	(o)	X	56	28, 49, 64		X	

(o) = Option